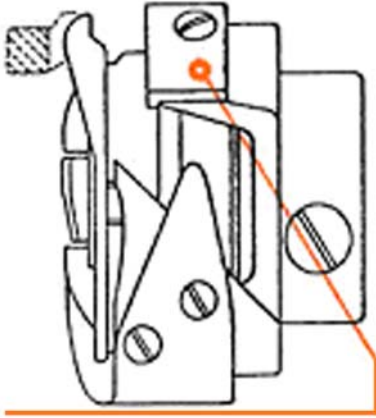
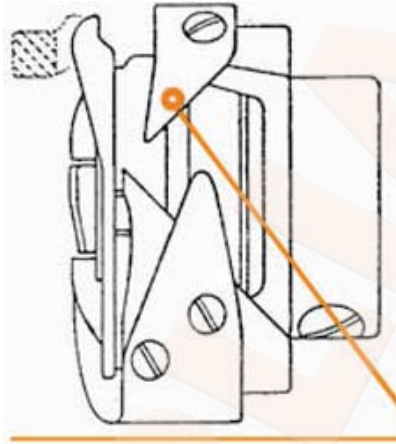


Types of gibs fitted to rotary hooks

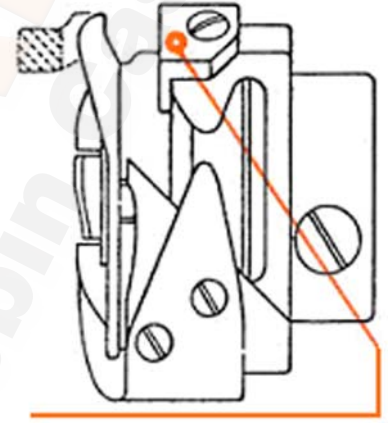
Horizontal axis rotary hooks



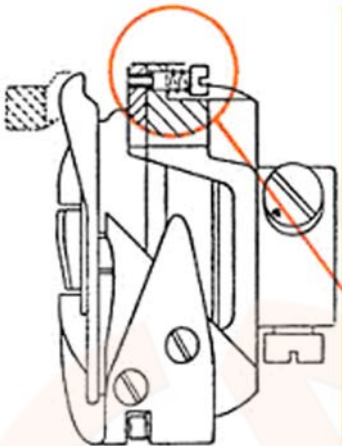
Short gib (A Type):
 for sewing heavy materials.



Full gib (B Type):
 for general sewing from light to heavy materials.



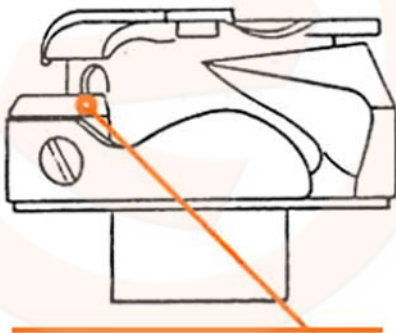
Tacking gib (C Type):
 for sewing medium and light materials.



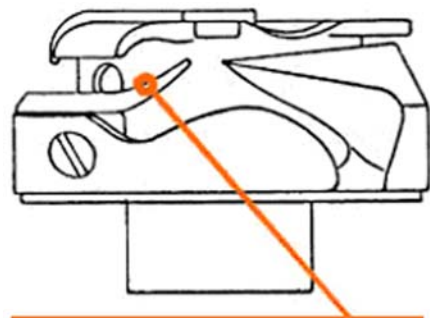
Jam proof gib (D Type):

this gib is fitted to our jam proof range of hooks (our exclusive patent for a long time). It is connected to the hook body by three screws and three coil springs. If the sewing thread gets caught in the raceway the special mechanism allows the thread to get out without having to remove or dismantle the hook.

Vertical axis rotary hooks



Short gib (A Type):
 for sewing heavy materials.



Full gib (B Type):
 for general sewing from light to heavy materials.