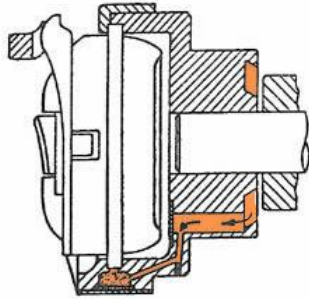


Lubrication system for high speed rotary hooks

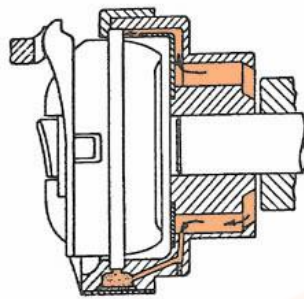
Horizontal axis rotary hooks



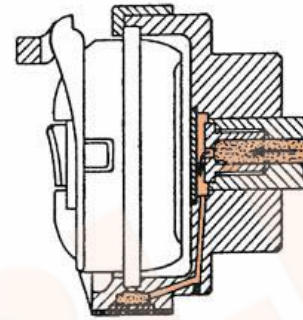
Manual lubrication



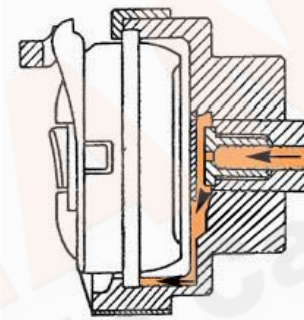
Automatic lubrication system with 1 lubrication channel



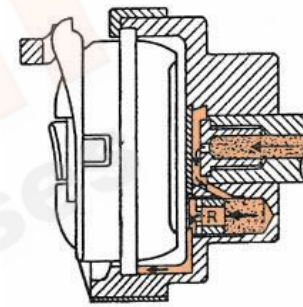
Automatic lubrication system with 2 lubrication channels



Automatic lubrication system, closed type

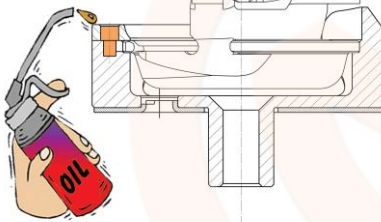


Automatic lubrication system, open type

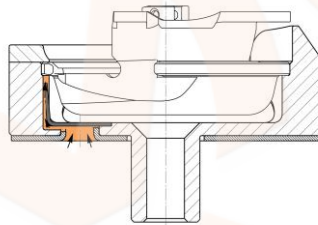


Automatic lubrication system: open type with lubrication regulating screw R.

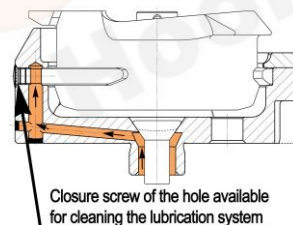
Vertical axis rotary hooks



Manual lubrication

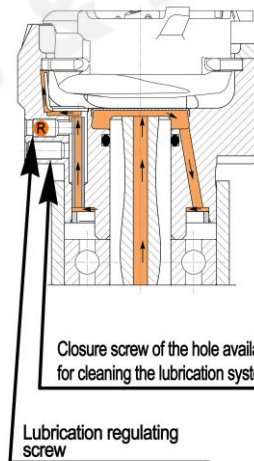


Automatic lubrication system, open type



Closure screw of the hole available for cleaning the lubrication system

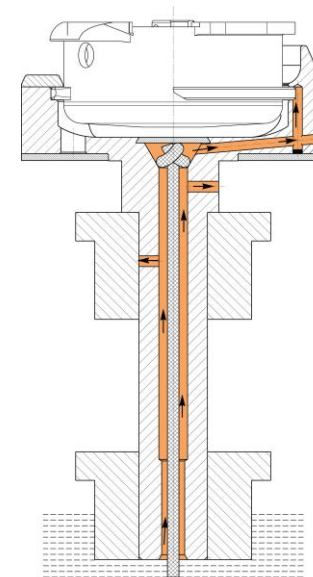
Automatic lubrication system with closure screw of the hole available for clearing the lubrication system



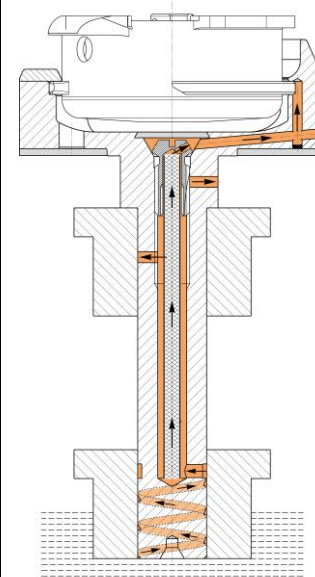
Closure screw of the hole available for cleaning the lubrication system

Lubrication regulating screw

Automatic lubrication system with lubrication regulating screw R and with closure screw of the hole available for clearing the lubrication system



Automatic lubrication system



Automatic lubrication system