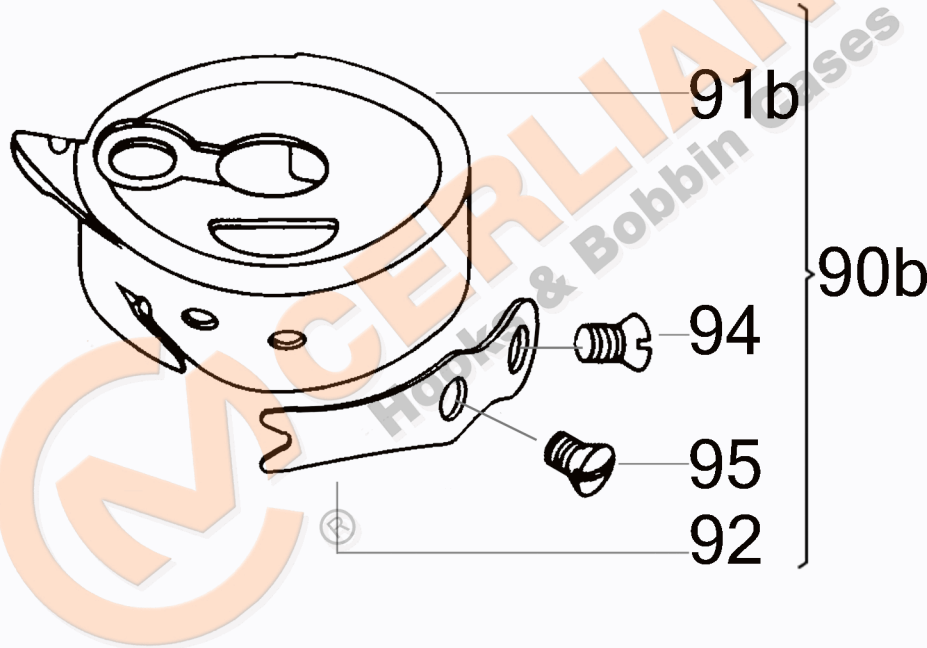


**EXPLODED VIEW**

**KP 130.13.069**



No	CERLIANI ARTICLE	DESCRIPTION
90b	130.13.069	CAP
92	130.13.085	TENSION SPRING
94	130.13.051	TENSION SPRING FAST. SCREW
95	130.13.073	TENSION SPRING ADJ. SCREW
100	130.13.072	BOBBIN BRAKE SPRING
103	130.13.063	MF-SPRING FASTENING SCREW
113	130.13.064	THICK DISC

Attention: The graphic representation shows only the typology of the components of the article and does not correspond to the real part.

This document and the information enclosed are intellectual property of CM CERLIANI and may not be rebroadcast in any form without express permission from CM CERLIANI. If you want to use any of these information for any use other than personal use, please contact CM CERLIANI to get the permission.